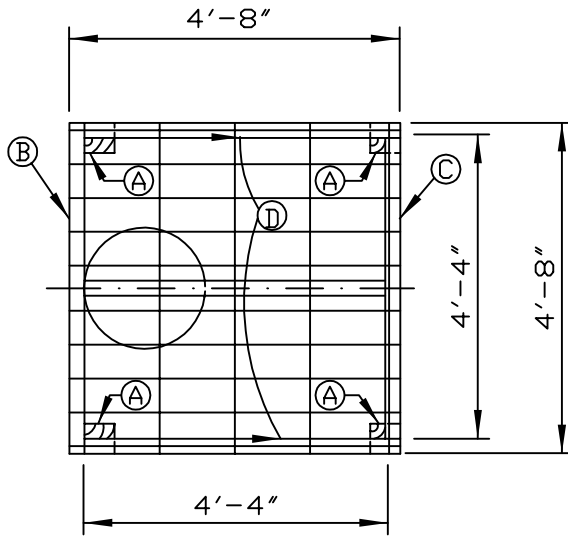
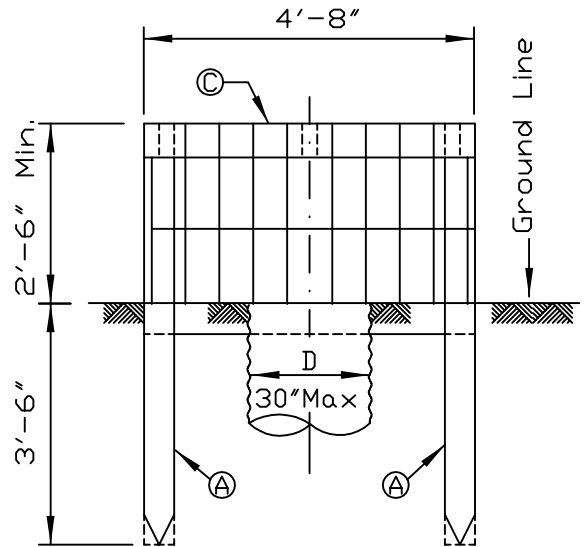


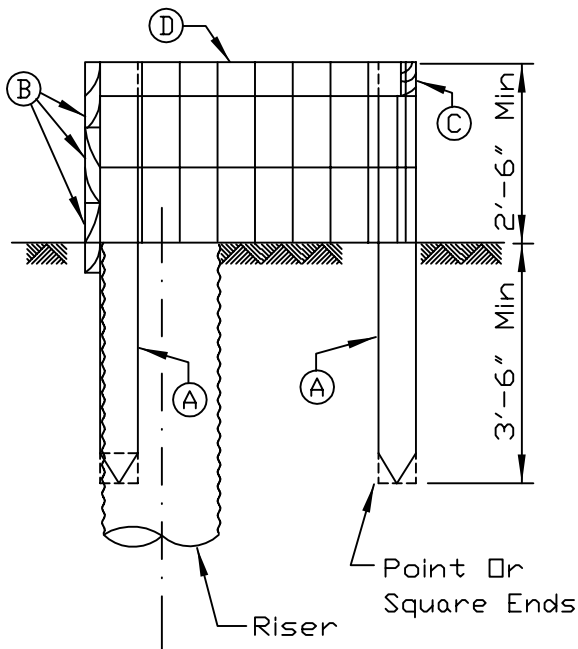
HEADWALL & SAFETY GUARD FOR PIPE RISERS



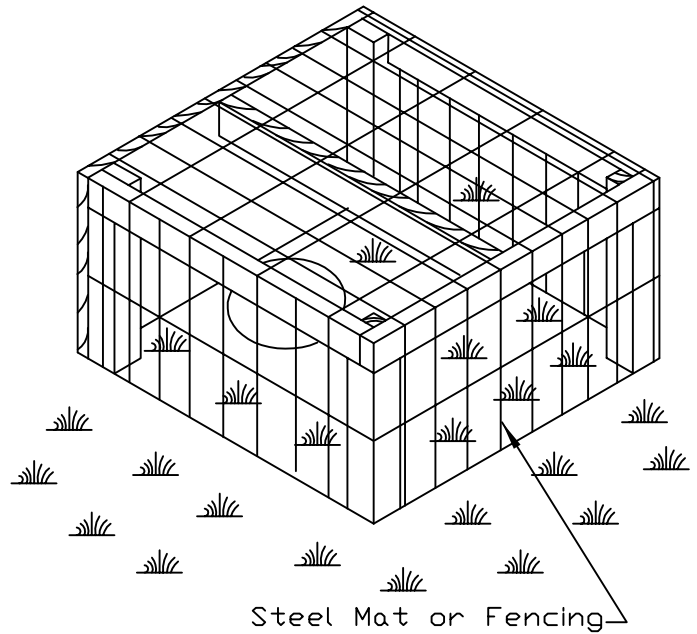
PLAN VIEW



FRONT ELEVATION



SIDE ELEVATION



ISOMETRIC VIEW

REFERENCE	
Project	_____
Designed	_____ Date _____
Checked	_____ Date _____
Approved	_____ Date _____



NRCS

Natural Resources Conservation Service

STANDARD DWG. NO.

IL-576

SHEET 1 OF 2

DATE 4-1-94