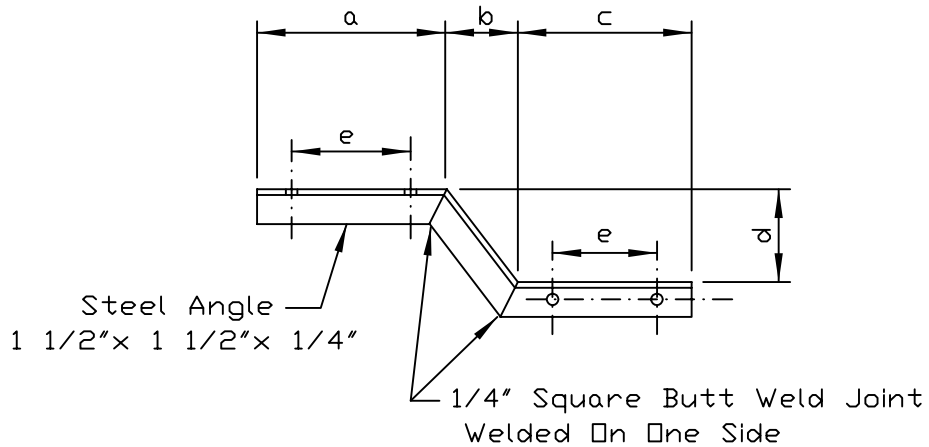


HOOD INLET WITH BAFFLE FOR CMP



ANGLE BRACE DETAIL

(1 Left And 1 Right Required Each Baffle)

GAGE OF METAL BAFFLE AND DIMENSIONS OF ANGLE BRACE						
Diam. of Pipe D	Gage of Baffle	Angle Brace Dimensions In Inches When Used				
		a	b	c	d	e
6"	16	*	*	*	*	*
8"	16	*	*	*	*	*
10"	16	*	*	*	*	*
12"	16	8	3 3/4	9	5	5-1/3
15"	16	9	4 7/8	9	6 1/2	5-1/3

* = No Brace Required

NOTE: Angle Brace Is Optional

NOTES:

1. All bolts shall be 3/8"x 1 1/2" with nut and split washers.
2. All holes for bolts shall be drilled 7/16" in diameter.
3. All nuts, bolts and washers shall be galvanized, cadmium plated, or stainless steel.
4. All cuts shall be saw or shear cut.
5. Holes in the angle brace shall be spaced and located to match corrugations in pipe and baffle.
6. Steel angles shall be galvanized.
7. All galvanizing damaged by cutting, drilling or welding shall be repaired by painting with two (2) coats of zinc dust-oxide primer.

REFERENCE
 Project _____
 Designed _____ Date _____
 Checked _____ Date _____
 Approved _____ Date _____



NRCS

Natural Resources Conservation Service

STANDARD DWG. NO.
 IL-577
 SHEET 2 OF 2
 DATE 3-1-95