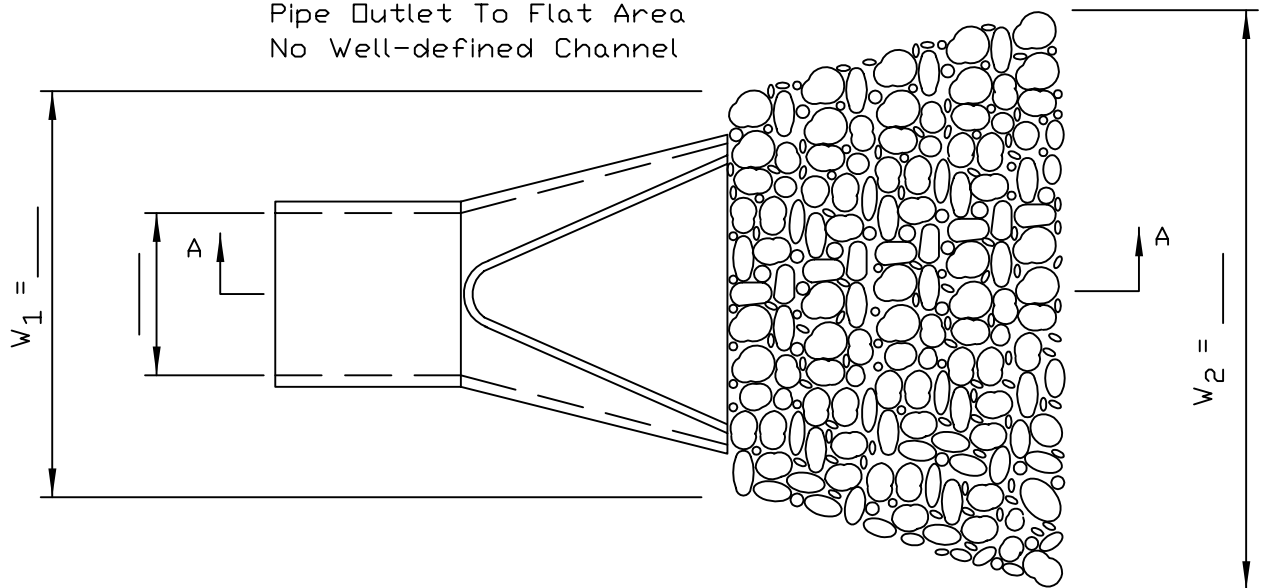
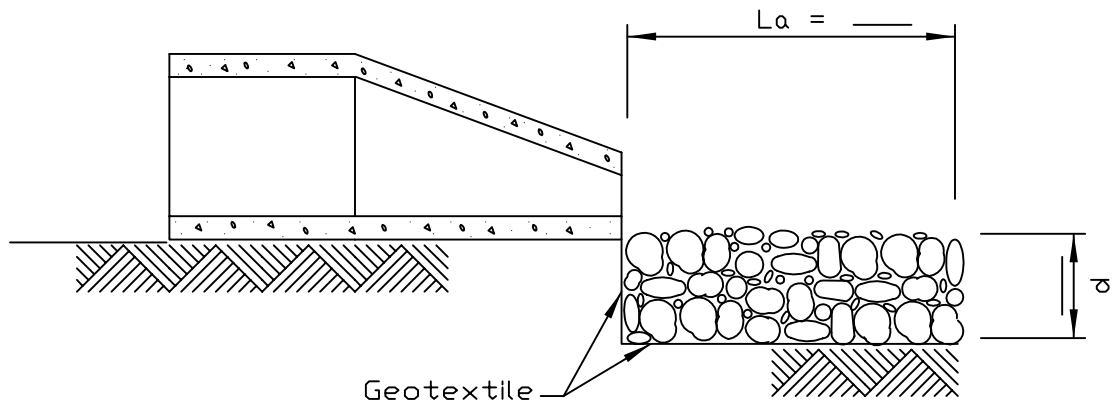


PIPE OUTLET TO FLAT AREA

Pipe Outlet To Flat Area
No Well-defined Channel



PLAN



SECTION A-A

NOTES:

1. The filter fabric shall meet the requirements in material specifications 592 GEOTEXTILE Table 1 or 2, class I, II or III .
2. The rock riprap shall shall meet the IDOT requirements for the following gradation: RR _____ , Quality _____ .
3. The riprap shall be placed according to construction specification 61 LOOSE ROCK RIPRAP. The rock may be equipment placed.

REFERENCE	
Project	_____
Designed	_____ Date _____
Checked	_____ Date _____
Approved	_____ Date _____



STANDARD DWG. NO.	IL-610
SHEET	1 OF 1
DATE	9-15-93